

# Axia™ OPO

## Compact, Mobile, Fiber Delivery OPO

Specifically designed for deployment into pre-clinical environments, AXIA is a fiber coupled OPO that provides broadband tunability, ease of operation, and efficiency in a compact, mobile package. With beam quality that is the hallmark of Amplitude products, AXIA offers a clear advantage in the marketplace.

Fully automated for precision scanning, AXIA comes with a GUI for hands-free operation and features built-in safety interlocks for smooth and safe operation in every environment.



### Applications

#### Science:

- > Photoacoustic Imaging
- > Biological Sample Excitation
- > Spectroscopy

### Key Features

- > Pump laser and OPO integrated into one compact, mobile system
- > Fully automated for precision scanning
- > GUI for hands free operation
- > Built-in safety interlocks for smooth and safe operation in every lab
- > Optional energy monitoring for easy diagnostics
- > Optional fiber delivery
- > Frequency shifting at 20Hz with linewidth accuracy.

# Specifications

## AXIA

OPO Peak Energy at 750 nm (mJ)	50
Signal Energy (680-970)	35
Idler Energy (1200-2000) nm	9
Repetition Rate (Hz)	20
Tuning Range	680-970 nm signal / 1200-2000 nm idler
Pulsewidth (ns)	3-8
Beam Diameter (mm)	~ 6

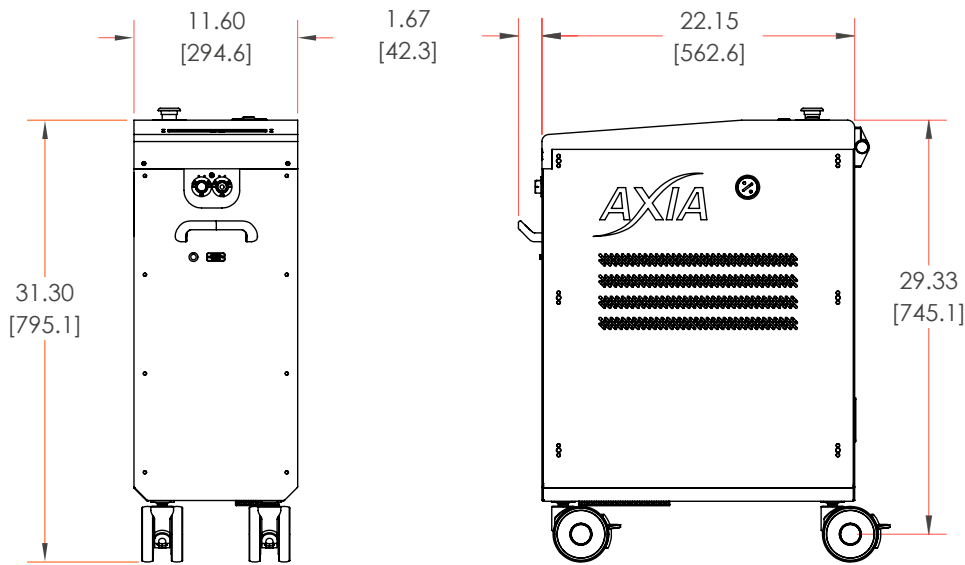
## Size and weight

Size	11.6" x 22.15" x 31.3" (294.6 x 562.6 x 795.1 mm)
Weight	175 lbs

## Others

Water	closed loop water to air heat exchanger
Electrical Service	110-240 V, single phase, 10 A, 50/60 Hz
Room Temperature	18 to 28°C / 65 to 82° F

# Axia Physical Layout



Typical Tuning Curves for Axia

